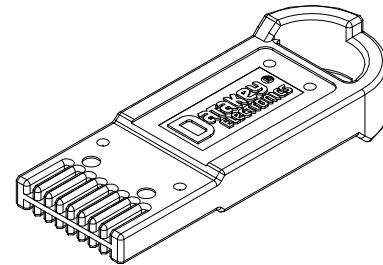


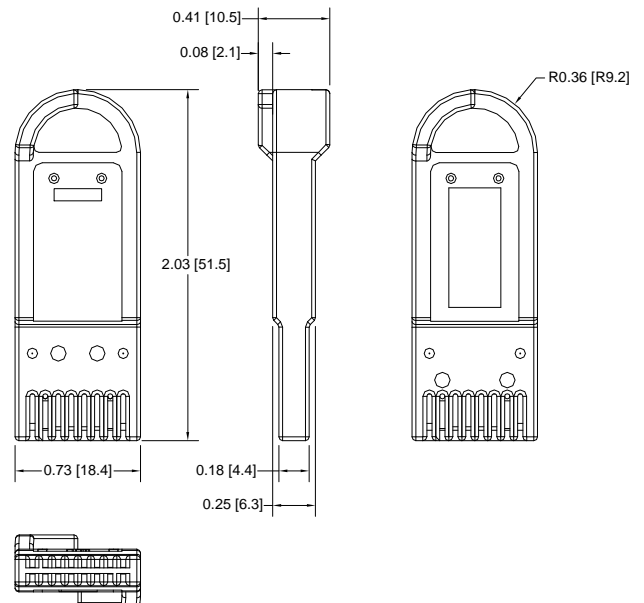
Datakey Electronics' UFX memory token offers high memory capacity (4GByte+¹) and high throughput utilizing USB 2.0 (high-speed) operation. Electrically, this token provides a standard Mass-Storage-Device (MSD) USB 2.0 (high-speed) interface. PCB-mount (see SR42xx series) and panel-mount (see UR4xxx series) receptacles with standard 1x5 mother-board headers, including IP-rated versions (UR4310/UR4410 series), are available. A PC adapter for quick and easy connection to a PC is also available.

The UFX memory token is constructed of tough, synthetic materials that protect its embedded memory from harsh environmental influences, such as dirt, moisture, chemicals, and electrostatic discharge. This field-proven, rugged and reliable memory token and mating connector system deliver flexibility for embedded system designers – allowing integration of a portable data-carrier in virtually any application/environment. The unique form-factor also inherently provides additional security to any application – eliminating the risk of unauthorized devices being used. Typical applications for this token include data logging, data transfer, software uploads, etc.

Mechanical	
Token Contact Life	10,000 Insertion/Removal Cycles Min.
Contact Arrangement	Fully Redundant (Front:Back)
Electrical	
Power, Active	250 milliwatts typical at 5 V
Power, Standby	150 milliwatts typical at 5 V
Voltage	5V operation and programming
ESD Protection	15kV
Environmental	
Storage Temperature	-40° C to + 85° C
Operating Temperature	0° C to + 85° C (contact factory for options)
Relative Humidity	5% to 95% (non-condensing)
Waterproof	Yes
RoHS Compliant	Yes
Memory	
Token:	Capacity:
UFX4GB	4 Gbyte ¹
Read/Write/Erase Cycles	100,000 Cycles Minimum
MTBF	1,000,000 Hours Minimum
External Interface	
Interface	USB 2.0 (high-speed)
Transfer Rate	2MB/sec (sustained write), minimum ¹
Mating Component(s)	
Receptacles PCB-mount (USB)	SR4210/SR4220/SR4230 – PCB/SMT Series
Receptacles Panel-mount (USB)	UR4210/UR4310/UR4410 Series (including IP rated versions)
PC Adapter	UFX PC Adapter (USB Type A) P/N 607-0082-000A
Ordering Information ²	
UFX4GByte	611-0210-00XA
UFX Development Kit	702-0085-000A



For pin-out information, refer to the individual data sheets for the SR42xx (PCB-mount) & UR4xxx (panel-mount) receptacles.



Drawing dimensions are in inches and millimeters [mm]. Dimensions are nominal and subject to manufacturer's tolerances.

NOTES:

- 1: Contact factory for higher memory capacity and higher transfer rate options
- 2: "X" indicates optional color number.
"A" suffix on part number indicates RoHS compliance.

