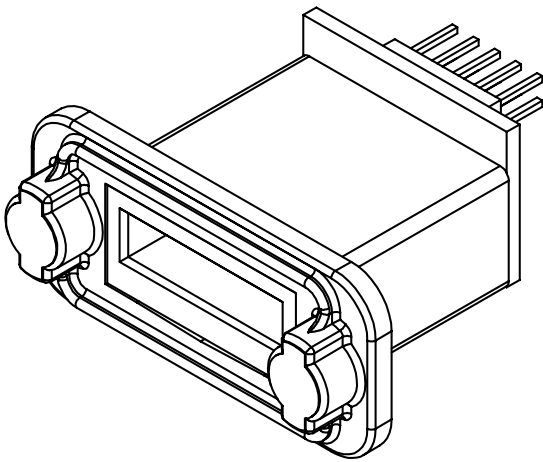


SR4310 Panel-Mount Series Enhanced Protection Receptacle

The SR4310 series are panel-mount interface connectors that mate with all Datakey Electronics' serial memory SlimLine™, Extended SlimLine, and NFX Tokens (see Token data sheets for more details). This series is designed with custom mounting features and details to provide enhanced water protection. The Receptacle body has a 2-piece construction – combining the field-proven Datakey Electronics SlimLine Receptacle frame/contact system on the inside with a tough outer “shell” that provides additional strength and environmental protection. The Receptacle is available in a splash-proof (i.e. IP-65, SR4310SP) version and an immersion rated (i.e. IP-67, SR4310IM) version. It is also available with the outer shell molded in a highly conductive material to provide EMI reduction (i.e. IP-67 & EMI, SR4310EI) through both reflection and absorption.

As with all Datakey Electronics SlimLine Token Receptacles, this Receptacle series features corrosion-resistant, gold dot contacts that perform reliably over a wear life of at least 50,000 insertion/removal cycles. The Receptacle includes a detent mechanism that gives users tactile confirmation when an inserted token is physically engaged. The Token/Receptacle System also provides a Last-On/First-Off (LOFO) contact that is used by system designers to protect the host bus by ensuring that Tokens have made secure contact with the Receptacle before any signals are transmitted (please contact factory for this option with NFX Tokens). The Receptacles utilize “molded-in” threaded inserts to provide easy panel mounting and post-installation tamper evidence. A gasket is provided with each Receptacle for sealing. See the SR4200 series for information on our standard line of Token Receptacles.



SR4310 is shown upside down for clarity.
See installation recommendation on page 2.

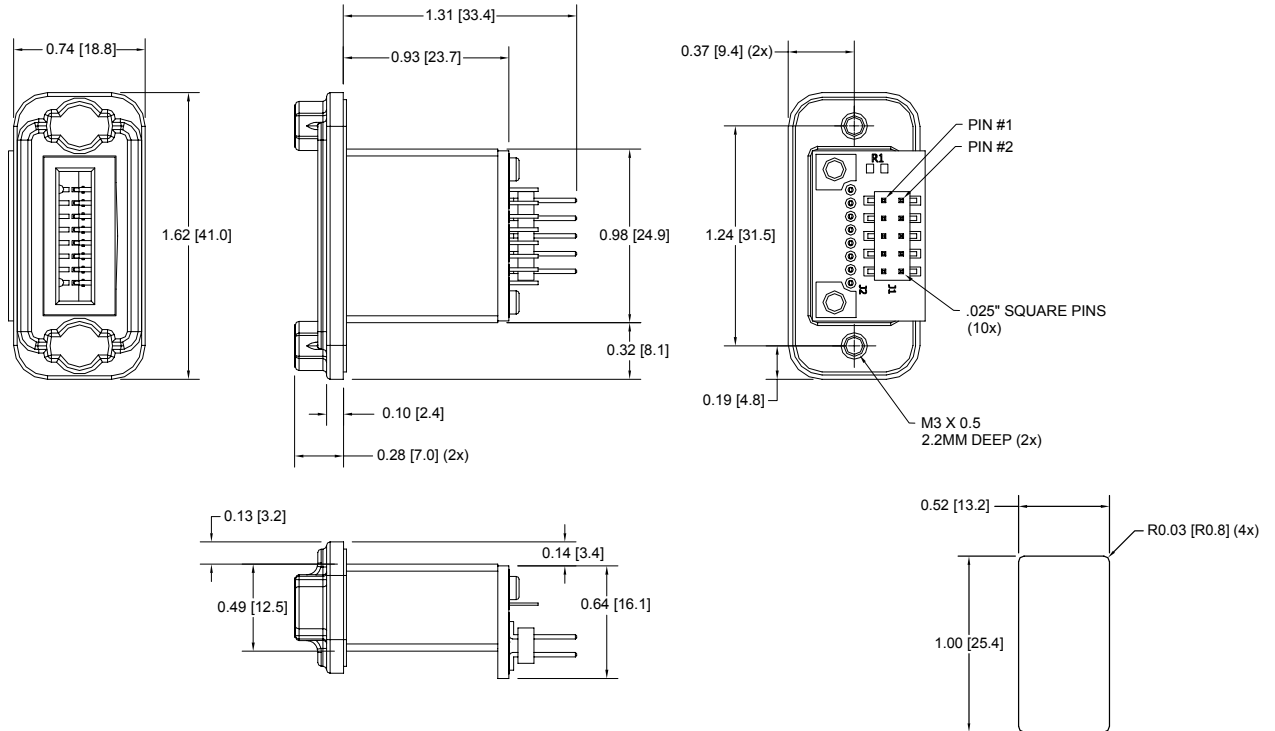
NOTES:

- 1: “A” suffix on part number indicates RoHS compliance.
- 2: Complete Interface Specifications available at http://www.datakeyelectronics.com/technical_inter_specs.html

Mechanical	
Operating Life	50,000 insertion/removal cycles min.
Insertion Force	400 grams min. / 2 Kgrams max.
Removal Force	300 grams min. / 2 Kgrams max.
Vibration	MIL-STD 810F, Test Method 514.5 15Gs (three axes) operating
Electrical	
Contact Resistance	Beginning of Life: < 100 mΩ End of Life: < 500 mΩ
Environmental	
Storage Temperature	-40°C to +100°C
Operating Temperature	-40°C to +85°C
Relative Humidity	5% - 95% (non-condensing)
Salt-Fog	MIL-STD 810F Method 509.4 Proc. 1
Mating Component(s)	
Tokens	All Serial SlimLine™ and NFX Tokens
Connector	Mates with AMP-LATCH® Series, 0.100" Centerline Ribbon Cable Connector
Threaded Fasteners	M3 x 0.5 (2.2mm thread depth) Max Torque Rating: 5.5 in-lb
Gasket Material (Receptacle provides positive over-tighten protection.)	Temperature-Resistant Silicone (SR4310SP/SR4310IM Versions) Electrically Conductive Silicone (SR4310EI Version)
Gasket Thickness	0.032", nominal
Ordering Information ¹	
SR4310SP (IP-65)	606-0067-000A
SR4310IM (IP-67)	606-0067-001A
SR4310EI (IP67/EMI)	606-0067-002A



SR4310 Panel Mount Series Enhanced Protection Receptacle



Installation Recommendation: For best debris resistance it is recommended that the Receptacle be installed with output connector below the housing as shown above.

Note: Installation screws are supplied by the customer.

PANEL HOLE CUT OUT FOR
10 GAGE PANEL THICKNESS

Panel cut-out recommendation: The above recommended panel cut out (1.00" x 0.52") is for a standard 10 gauge (0.135"/3.43mm) material thickness panel. Cut-out dimensions may need to be modified for different panel thicknesses to properly account for "tipping in" PCB during installation. Contact factory for further details.

Pin-Out Chart ²				
PIN #	Microwire	I ² C	SPI	NFX
Pin 1	NC	NC	NC	NC
Pin 2	Power (V _{CC})	Power (V _{CC})	Power (V _{CC})	Power (V _{CC})
Pin 3	Ground (GND)	Ground (GND)	Ground (GND)	Ground (GND)
Pin 4	NC	SIZE / RST ³	NC	NC
Pin 5	Chip Select (CS)	NC	/Chip Select (/CS)	/Chip Select (/CS)
Pin 6	Data In (DI)	NC	Data In (SI)	MOSI
Pin 7	Serial Clock (SK)	Serial Clock (SCL)	Serial Clock (SCK)	Serial Clock (SCK)
Pin 8	Data Out (DO)	Serial Add/Data (SDA)	Data Out (SO)	MISO
Pin 9	NC	NC	/Hold	DP (USB)
Pin 10	LOFO	LOFO	LOFO	DM (USB)

NC = No Connection

