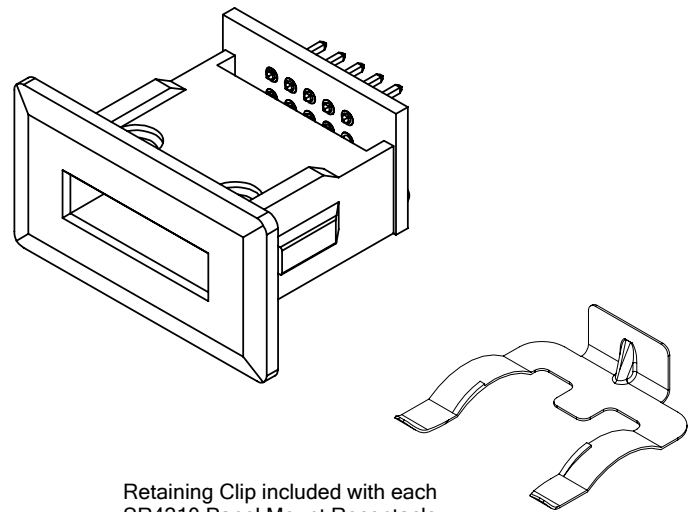


The SR4210 is a panel-mount interface connector for all Datakey Electronics' SlimLine™, Extended SlimLine and NFX Tokens (see Token data sheets for more information). The SR4210 Receptacle features corrosion-resistant, gold dot contacts that perform reliably over a wear life of at least 50,000 insertion/removal cycles. The Receptacle includes a detent mechanism that gives users tactile confirmation when an inserted Token is physically engaged. The SR4210 also contains a Last-On/First-Off (LOFO) contact that may be used to protect the host bus by ensuring that Tokens have made secure contact with the Receptacle before any signals are transmitted (please contact factory for this option with NFX Tokens). The SR4210 Receptacle is designed for simple, front-panel mounting in small equipment with limited component space. A metal retainer clip is provided to hold the Receptacle to the panel. Alternate versions can be mounted directly onto a printed circuit board.

Mechanical	
Operating Life	50,000 insertion/removal cycles min.
Insertion Force	400 grams min. / 2 Kgrams max.
Removal Force	400 grams min. / 2 Kgrams max.
Vibration	15 G's (three axes) Non-operating
Electrical (Dielectric Strength)	
Contact Resistance	Beginning of Life: 100 mΩ
	End of Life: 500 mΩ
Environmental	
Storage Temperature	-40°C to +105°C
Operating Temperature	-40°C to +85°C
Relative Humidity	5% to 95% (non-condensing)
Mating Component(s)	
Tokens	All Serial and NFX Tokens
Ordering Information ¹	
SR4210	606-0051-000A



Retaining Clip included with each SR4210 Panel Mount Receptacle.

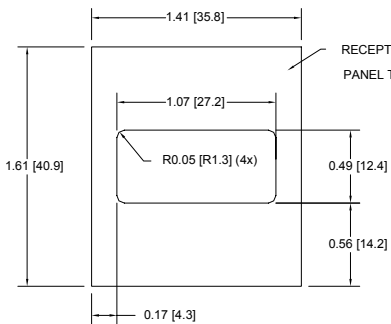
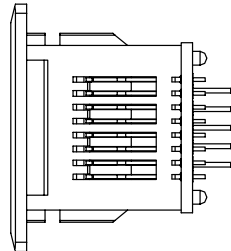
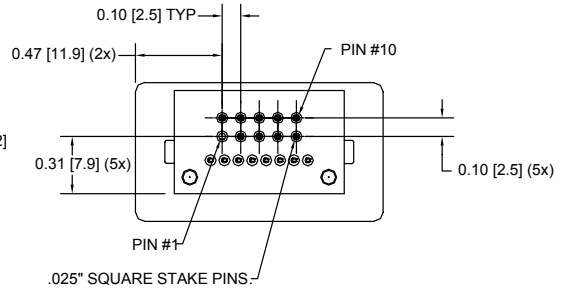
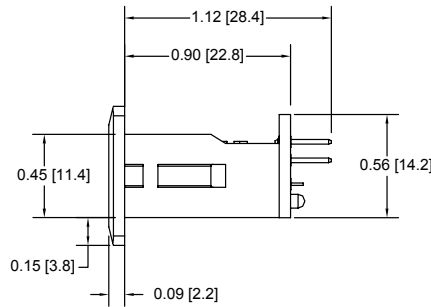
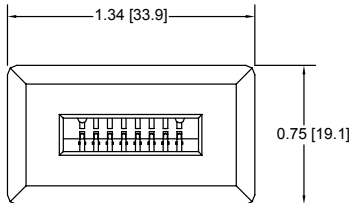
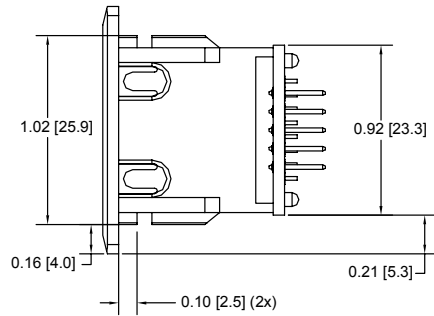
Pin-Out Chart ²				
PIN #	Microwire	I ² C	SPI	NFX
Pin 1	NC	NC	NC	NC
Pin 2	Power (V _{CC})	Power (V _{CC})	Power (V _{CC})	Power (V _{CC})
Pin 3	Ground (GND)	Ground (GND)	Ground (GND)	Ground (GND)
Pin 4	NC	SIZE / RST ³	NC	NC
Pin 5	Chip Select (CS)	NC	/Chip Select (/CS)	/Chip Select (/CS)
Pin 6	Data In (DI)	NC	Data In (SI)	MOSI
Pin 7	Serial Clock (SK)	Serial Clock (SCL)	Serial Clock (SCK)	Serial Clock (SCK)
Pin 8	Data Out (DO)	Serial Add/Data (SDA)	Data Out (SO)	MISO
Pin 9	NC	NC	/Hold	DP (USB)
Pin 10	LOFO	LOFO	LOFO	DM (USB)

NC = No Connection

NOTES:

- 1: "A" suffix on part number indicates RoHS compliance.
- 2: Complete Interface Specifications available at http://www.datakeyelectronics.com/technical_inter_specs.html
- 3: RST signal used on IIT Series only.

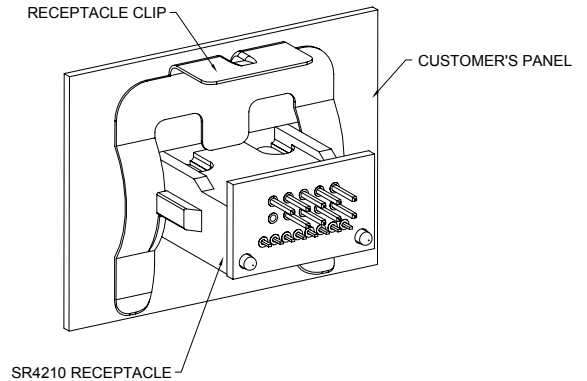




RECEPTACLE CLIP AREA
PANEL THICKNESS .04\"/>

NOTE: Use for all cable connectors: AMP-LATCH[®] Series, 0.100 Centerline Ribbon Cable Connector.

PANEL HOLE & CLIP CLEARANCE DETAIL



Drawing dimensions are in inches and millimeters [mm]. Dimensions are nominal and subject to manufacturer's tolerances.

