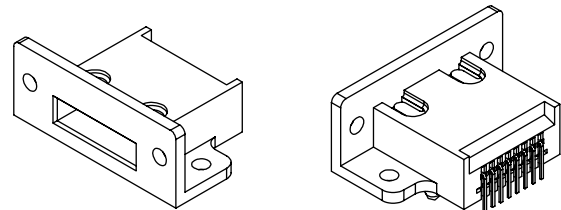


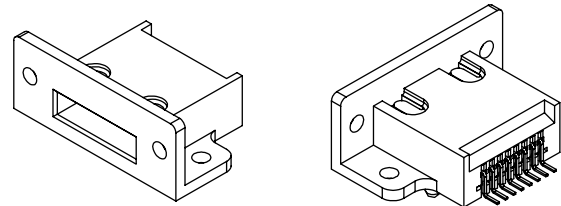
SR4210PCB & SMT Board Mount SR4000 Standard Receptacles

The SR4210PCB Receptacle is a board-mount interface connector for all Datakey Electronics' SlimLine™, Extended SlimLine and NFX Tokens (see Token data sheets for more details). The SR4210PCB Receptacle features corrosion-resistant, gold dot contacts that perform reliably over a wear life of at least 50,000 insertion/removal cycles. The Receptacle includes a detent mechanism that gives users tactile confirmation when an inserted Token is physically engaged. The SR4210PCB also contains a Last-On/First-Off (LOFO) contact that may be used to protect the host bus by ensuring that Tokens have made secure contact with the Receptacle before any signals are transmitted (please contact factory for this option with NFX Tokens). The SR4210PCB Receptacle is a space-saving component that mounts directly onto a printed-circuit board. The SR4210PCB is also available with surface mount leads (SR4210SMT⁴). An alternate version, the SR4210, is designed for simple, front panel mounting.

Mechanical	
Operating Life	50,000 insertion/removal cycles min.
Insertion Force	400 grams min. / 2 Kgrams max.
Removal Force	400 grams min. / 2 Kgrams max.
Vibration	15 G's (three axes) Non-operating
Electrical	
Contact Resistance	Beginning of Life: 100 mΩ
	End of Life: 500 mΩ
Environmental	
Storage Temperature	-40°C to +105°C
Operating Temperature	-40°C to +85°C
Relative Humidity	5% to 95% (non-condensing)
Mating Component(s)	
Tokens	All Serial and NFX Tokens
Ordering Information ¹	
SR4210PCB	606-0050-000A
SR4210SMT	606-0050-002A



SR4210PCB
(Through-Hole Technology)



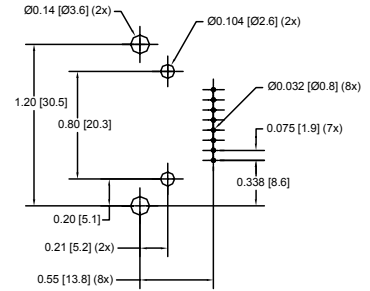
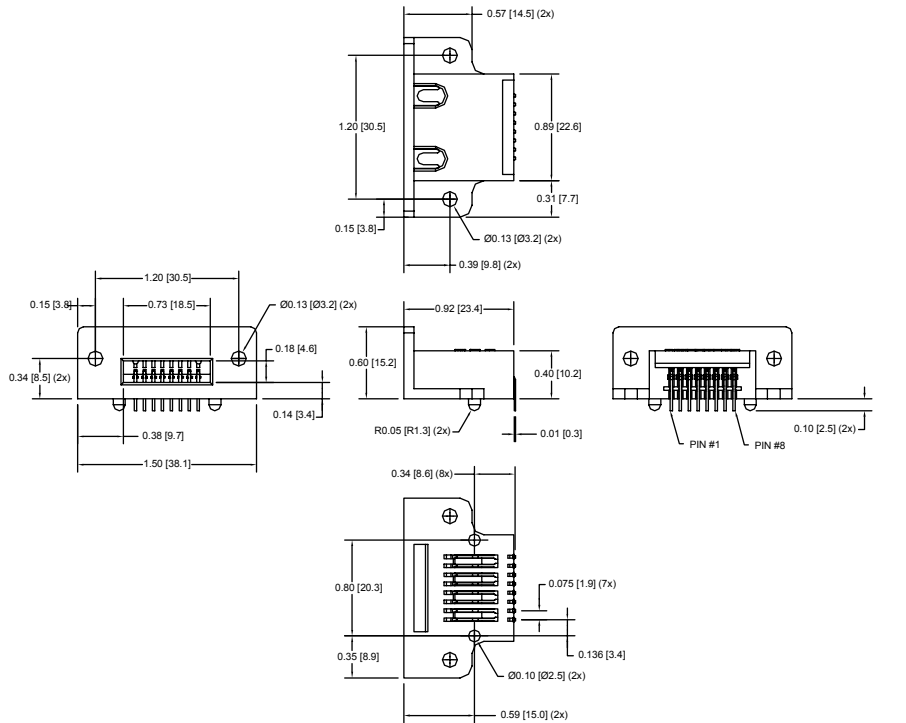
SR4210SMT
(Surface Mount Technology)

Pin-Out Chart ²				
PIN #	Microwire	I ² C	SPI	NFX
Pin 1	LOFO	LOFO	/Hold	DP (USB)
Pin 2	Power (V _{CC})	Power (V _{CC})	Power (V _{CC})	Power (V _{CC})
Pin 3	Chip Select (CS)	SIZE / RST ³	/Chip Select (/CS)	/Chip Select (/CS)
Pin 4	Serial Clock (SK)	Serial Clock (SCL)	Serial Clock (SCK)	Serial Clock (SCK)
Pin 5	Data In (DI)	NC	Data In (SI)	MOSI
Pin 6	Data Out (DO)	Serial Add/Data (SDA)	Data Out (SO)	MISO
Pin 7	Ground (GND)	Ground (GND)	Ground (GND)	Ground (GND)
Pin 8	LOFO	LOFO	LOFO	DM (USB)

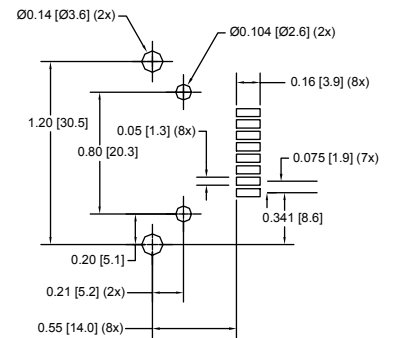
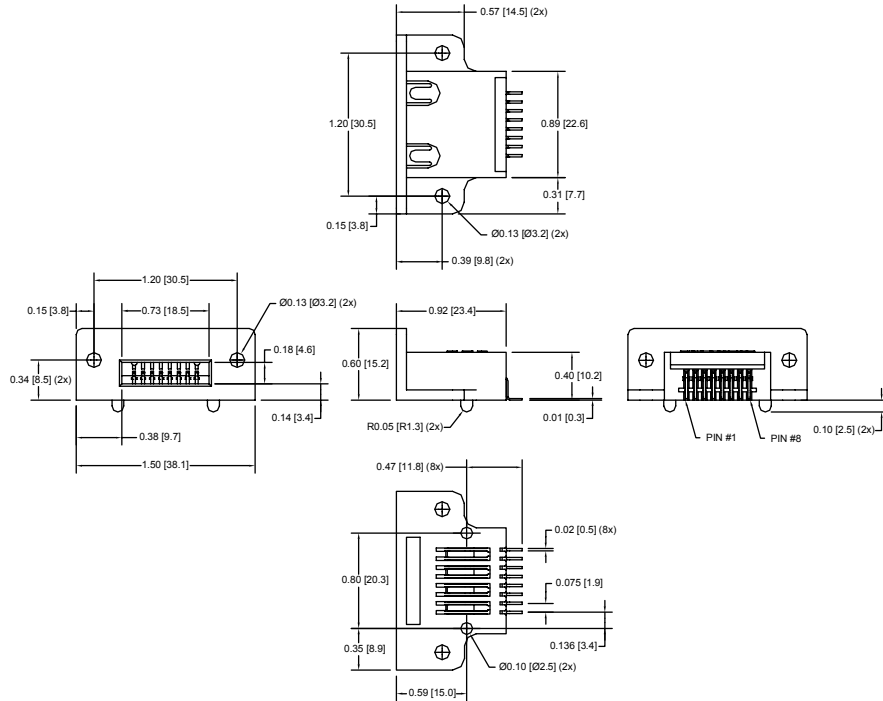
NOTES:

- 1: "A" suffix on part number indicates RoHS compliance. NC = No Connection
- 2: Complete Interface Specifications available at http://www.datakeyelectronics.com/technical_inter_specs.html
- 3: RST signal used on IIT Series only.
- 4: Refer to recommended reflow instructions at: http://www.datakeyelectronics.com/technical_reflow.html





PCB RECEPTACLE PATTERN LAYOUT (THT)



SMT RECEPTACLE PATTERN LAYOUT

Drawing dimensions are in inches and millimeters [mm]. Dimensions are nominal and subject to manufacturer's tolerances.

