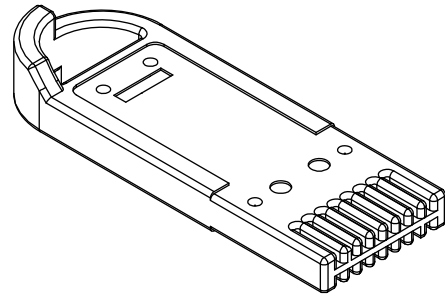
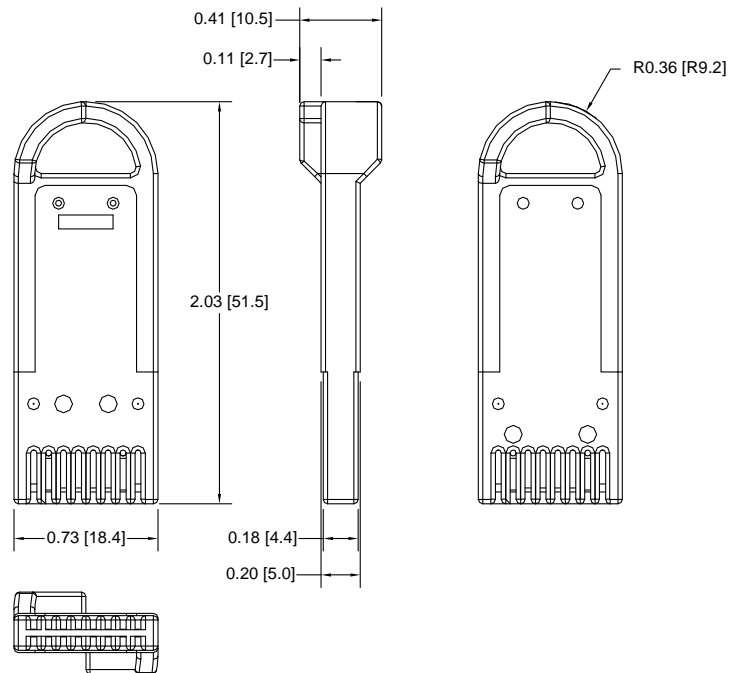


Datakey Electronics large memory capacity serial flash memory Extended Tokens feature a Serial Peripheral Interface (SPI)¹ which is a synchronous serial data link that is standard across many microprocessors and other peripheral chips. It provides a high bandwidth network connection among CPUs and other devices supporting the SPI-compatible bus. The primary applications are data logging, firmware updates, and data transfer. The memory can be written or programmed 1 to 256 bytes at a time, using the Page Write or Page Program instructions. Refer to the SPI Interface Specification for specific sector and page information. The SFX Series features Datakey Electronics industry-leading solid molded construction, rugged wear-resistant exterior and long-lasting contacts.

Mechanical	
Contact Life	10,000 Insertions/Removal Cycles Min.
Contact Arrangement	Fully Redundant (Front:Back)
Electrical ¹	
Power, Active	50mW / 70mW ³ Typical
Power, Standby	180µW / 360µW ³ Typical
Voltage	2.7 to 3.6V
ESD Protection	15kV (per Std. 064-1028)
Environmental	
Storage Temperature	-40° C to + 100° C
Operating Temperature	-40° C to + 85° C
Relative Humidity	5% to 95% (non-condensing)
Memory ¹	
Token:	Capacity:
SFX1Mb	1,048,576 bits (131,072 bytes)
SFX2Mb	2,097,152 bits (262,144 bytes)
SFX4Mb	4,194,304 bits (524,288 bytes)
SFX8Mb	8,388,608 bits (1,048,576 bytes)
SFX32Mb	33,554,432 bits (4,194,304 bytes)
SFX64Mb	67,108,864 bits (8,388,608 bytes)
Read Cycles	Unlimited
Write/Erase Cycles	100,000 Cycles Minimum
Data Life (Storage)	20 Years Data Retention
Mating Component(s)	
Panel-Mount Receptacle	SR4210
PCB Mount Receptacle	SR4000 Family of Receptacles
Reader/Writer	SlimLink™ III (recommended), SlimLink™ II
Ordering Information ²	
SFX1Mb	611-0154-00XA
SFX2Mb	611-0155-00XA
SFX4Mb	611-0156-00XA
SFX8Mb	611-0157-00XA
SFX32Mb	611-0159-00XA
SFX64Mb	611-0175-00XA



For pin-out information, refer to the individual data sheets for the SR4000 Family of Receptacles.



NOTES:

- 1: Complete SPI Interface Specification available at http://www.datakeyelectronics.com/technical_inter_specs.html
- 2: "X" indicates optional color number - contact factory. "A" suffix on part number indicates RoHS compliance.
- 3: SFX64Mb

Drawing dimensions are in inches and millimeters [mm]. Dimensions are nominal and subject to manufacturer's tolerances.

