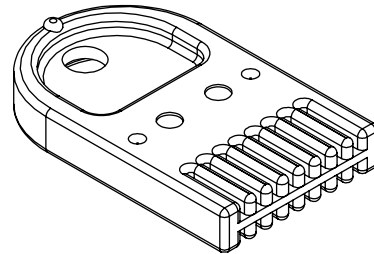
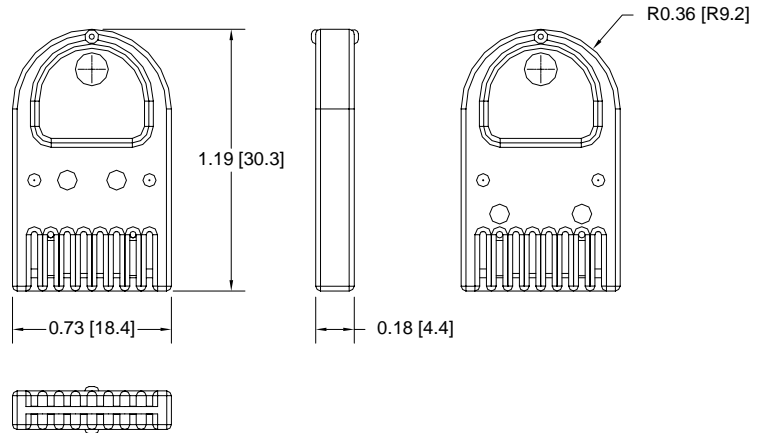


Datakey Electronics' SlimLine™ LCS Series are economical, Tokens with 1Kbit, 4Kbit, or 16Kbit, non-volatile, serial Microwire¹ EEPROM memories. A thin profile and space-saving interface connection make them especially well suited for use in compact systems where component space is limited. The LCS is constructed of tough, synthetic materials that protect its embedded memory from harsh environmental influences including dirt, moisture, chemicals, X-rays, and up to 15kV of electrostatic discharge. Each LCS Token contains a low-density, serial read/write memory that can be read, erased and written to via a simple interface to your host hardware, or accessed through a convenient SlimLink™ Reader/Writer device.

Mechanical	
Contact Life	10,000 Insertions/Removal Cycles Min.
Contact Arrangement	Fully Redundant (Front:Back)
Electrical ¹	
Power, Active	25 milliwatts typical at 5V
Power, Standby	250 microwatts typical at 5V
Voltage ^{2,3}	2.7 to 5.5V
ESD Protection	15kV (per Std. 064-1028)
Environmental	
Storage Temperature	-40° C to + 100° C
Operating Temperature	-40° C to + 85° C
Relative Humidity	5% to 95% (non-condensing)
Memory ¹	
Token:	Capacity:
LCS1000	1Kbits (1,024 bits) 64 x 16
LCS4000	4Kbits (4,096 bits) 256 x 16
LCS16000	16Kbits (16,384 bits) 1024 x 16
Read Cycles	Unlimited
Write/Erase Cycles	1,000,000 Cycles Minimum
Data Life (Storage)	10 Years Minimum
Mating Component(s)	
Panel-Mount Receptacle	SR4210
PCB Mount Receptacle	SR4000 Family of Receptacles
Reader/Writer	SlimLink™ III (recommended), SlimLink™ II
Ordering Information ⁴	
LCS1000	611-0048-00XA
LCS4000	611-0108-00XA
LCS16000	611-0145-00XA
LCS1000 ⁵	611-0010-000A
LCS4000 ⁵	611-0012-000A
LCS16000 ⁵	611-0024-000A



For pin-out information, refer to the individual data sheets for the SR4000 Family of Receptacles.



Drawing dimensions are in inches and millimeters [mm]. Dimensions are nominal and subject to manufacturer's tolerances.

NOTES:

- 1: Complete Microwire Interface Specification available at http://www.datakeyelectronics.com/technical_inter_specs.html
- 2: The Bulk Erase command is not supported at < 4.6V.
- 3: **Design Recommendation:** It is recommended that all new Key/Token implementations be designed to operate with power supplies in the range of 2.7 to 3.6 volts. Although there is no immediate or certain future difficulties in the procurement of memory devices that operate with V_{CC} in the 4.5 to 5.5 volt range, it is possible the future availability of such memories may be impacted as semiconductor manufacturers continue to shrink their die geometries. Please contact the factory if you have any questions pertaining to this with your current or legacy design.
- 4: "X" indicates optional color number. "A" suffix on part number indicates RoHS compliance.
- 5: Custom Token made with PPS Plastic. Consult factory for details.

