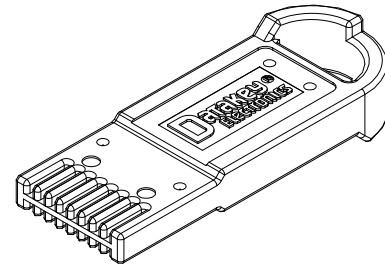


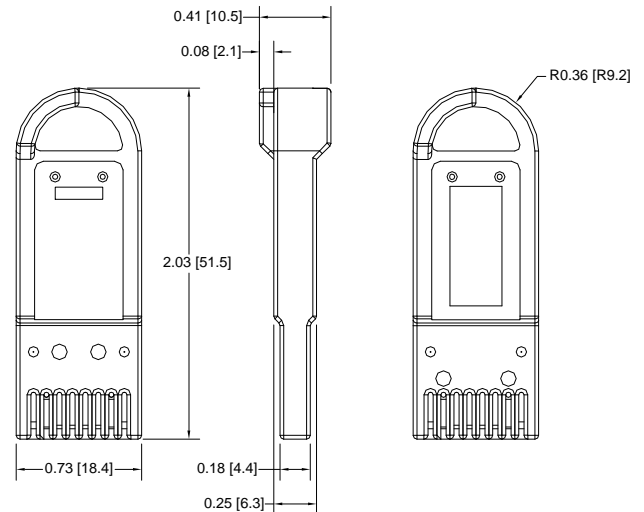
Datakey Electronics' DFX memory token offers high memory capacity (4GBytes+¹) and high throughput utilizing Secure Digital (SD) technology. Electrically, this token provides a standard SD card interface (per the SD specification) – including support of SPI communications for embedded applications. PCB-mount (see SR42xx series) and panel-mount (see SR4xxx series) receptacles, including IP-rated versions (SR4310/SR4410 series), are available. A PC adapter for quick and easy connection to a PC (via USB 2.0, high-speed) is also available.

The DFX memory token is constructed of tough, synthetic materials that protect its embedded memory from harsh environmental influences, such as dirt, moisture, chemicals, and electrostatic discharge. This field-proven, rugged and reliable memory token and mating connector system deliver flexibility for embedded system designers - allowing integration of a portable data-carrier in virtually any application/environment. The unique form-factor also inherently provides additional security to any application – eliminating the risk of unauthorized devices being used. Typical applications for this token include data logging, data transfer, software uploads, etc.

Mechanical	
Token Contact Life	10,000 Insertion/Removal Cycles Min.
Contact Arrangement	Fully Redundant (Front:Back)
Electrical	
Power, Active	185 milliwatts typical at 3.3V
Power, Standby	400 microwatts typical at 3.3V
Voltage	3.3V operation and programming
ESD Protection	15kV
Environmental	
Storage Temperature	-40° C to + 85° C
Operating Temperature	-20° C to + 85° C
Relative Humidity	5% to 95% (non-condensing)
Waterproof	Yes
RoHS Compliant	Yes
Memory	
Token:	Capacity:
DFX4GB	4 Gbyte ¹
Read/Write/Erase Cycles	100,000 Cycles Minimum
MTBF	1,000,000 Hours Minimum
External Interface	
Interface	SPI (per Secure Digital specification)
Transfer Rate (SD)	10MB/sec (read), 4MB/sec (write), typical
Clock Rate (SPI)	Refer to SD specification
Mating Component(s)	
Receptacles PCB-mount (SPI)	SR4210/SR4220/SR4230 – PCB/SMT Series
Receptacles Panel-mount (SPI)	SR4210/SR4310/SR4410 Series (including IP rated versions)
PC Adapter	DFX PC Adapter (USB Type A) P/N 607-0081-000A
Ordering Information ²	
DFX4GByte	611-0209-000A
DFX Development Kit	702-0084-000A



For pin-out information, refer to the individual data sheets for the SR42xx, SR43xx, and SR44xx receptacles.



Drawing dimensions are in inches and millimeters [mm]. Dimensions are nominal and subject to manufacturer's tolerances.

NOTES:

- 1: Contact Factory for higher memory capacity options
- 2: "X" indicates optional color number.
"A" suffix on part number indicates RoHS compliance.

